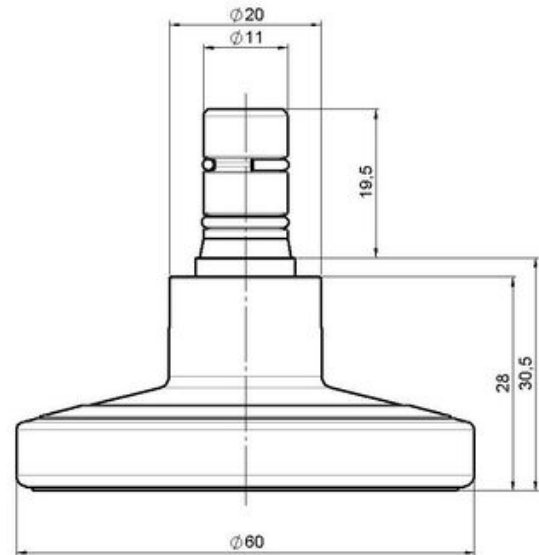


STATO M F128

As of: April 15, 2026

Description	Model	Carton Quantity
STATO-M	F128	100 pcs per Carton



Technical Details

Product Type	Glide
Glide bottom diameter	60mm
Load capacity	80kg
Overall height with fixing	30,5mm
Housing:	
Bottom	standard
Upper glide material	High quality plastic
Upper glide color	RAL 9005 Jet black with middle ring in RAL 3001 Signal red
Lower glide material	High quality plastic
Lower glide color	RAL 9005 Jet black
Fixing	No-Noise™ Stem, 11x19,5mm Push fit stem with double circlips, 11,4mm
Description	F 128 BG1X2NN

Fixings

Compatible with the following available fixings:

No-Noise™ Stem:

- 11x19.5mm with 11.4mm circlip
- 11x19.5mm with 11.6mm circlip

Push fit stems:

- 10x22mm with 10.3mm circlip
- 10x22mm with 10.5mm circlip
- 11x19.5mm with 11.4mm circlip
- 11x19.5mm with 11.8mm circlip
- 11x22mm with 11.4mm circlip
- 11x22mm with 11.6mm circlip
- 11x22mm with 11.8mm circlip

Threaded stems:

- M8x15mm
- M8x25mm
- M10x15mm
- M10x25mm
- 5/16-18x5/8"
- 3/8-16x5/8"
- 3/8-16x1/2"
- 3/8-16x1"

Square plates:

- 38x38mm
- 55x55mm
- 60x60mm