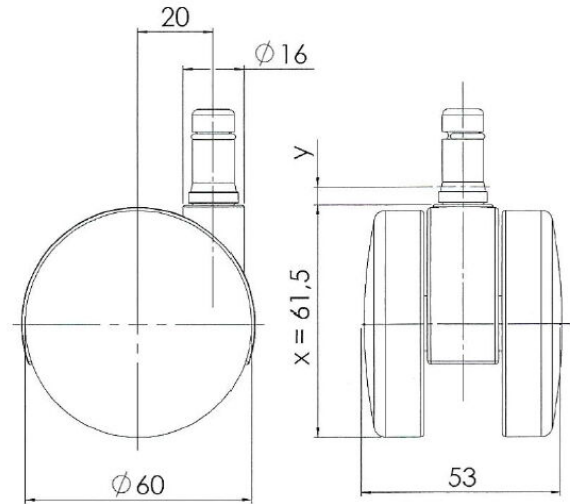


Traditional 60 classic

As of: April 12, 2026

| Description | Model | Carton Quantity |
|--------------|-------|-------------------|
| TDKG254-5X2B | T254 | 100 pc per carton |



Technical Details

| | |
|----------------------------|---------------------------|
| Product Type | Furniture or Chair Caster |
| Wheel diameter | 60mm 2 ½" |
| Load capacity | 59kg 130 lbs. |
| Overall height with fixing | 61.5mm |
| Wheel: | |
| Wheel type | Hard wheel |
| Wheel color | Black |
| Housing: | |
| Housing form | unhooded |
| Neck diameter | 16mm |
| Housing material | High quality nylon |
| Housing color | Black |
| Mobility concept | Freewheel, roll control |
| Fixing | 11x22mm Push-fit stem |
| Description | TDKG254-5X2B |

Fixings

Compatible with the following available fixings:

Push fit stems:

- 10x20mm with 10.3mm circlip
- 10x22mm with 10.5mm circlip
- 11x19.5mm with 11.8mm circlip
- 11x22mm with 11.4mm circlip
- 11x22mm with 11.6mm circlip
- 11x22mm with 11.8mm circlip
- 11x22mm with 11.8 banded K290 4A
- 11x26mm

Threaded stems:

- 3/8-16x1"
- 3/8x1"

Square plates:

- 38x38mm
- 55x55mm
- 60x60mm