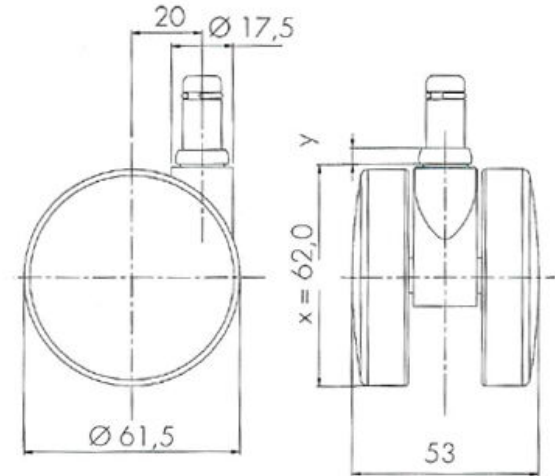


Traditional 60 classic

As of: April 08, 2026

| Description | Model | Carton Quantity |
|-----------------|-------|--------------------|
| TUZB241-24X2C/B | T241 | 100 pcs per carton |



Technical Details

| | |
|----------------------------|---------------------------|
| Product Type | Furniture or Chair Caster |
| Wheel diameter | 60mm 2 ½" |
| Load capacity | 59kg 130 lbs. |
| Overall height with fixing | 62mm |
| Wheel: | |
| Wheel type | Soft wheel |
| Wheel core / tread color | Black / Black |
| Housing: | |
| Housing form | unhooded |
| Neck diameter | 17.5mm |
| Housing material | Zinc die-cast |
| Housing color | Chrome |
| Mobility concept | Freewheel |
| Fixing | 11x22mm Push -fit stem |
| Description | TUZB241-24X2C/B |

Fixings

Compatible with the following available fixings:

Push fit stems:

- 10x20mm with 10.3mm circlip
- 10x22mm with 10.5mm circlip
- 11x19.5mm with 11.8mm circlip
- 11x22mm with 11.4mm circlip
- 11x22mm with 11.6mm circlip
- 11x22mm with 11.8mm circlip
- 11x22mm with 11.8 banded K290 4A
- 11x26mm

Threaded stems:

- 3/8-16x1"
- 3/8x1"

Square plates:

- 38x38mm
- 55x55mm
- 60x60mm