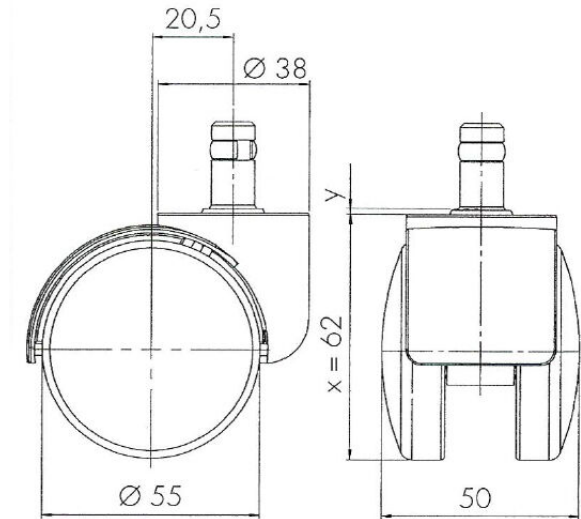


Traditional 55 classic

As of: April 08, 2026

| Description  | Model | Carton Quantity   |
|--------------|-------|-------------------|
| TUK155-24X2B | T155  | 100 pc per carton |



## Technical Details

|                            |                           |
|----------------------------|---------------------------|
| Product Type               | Furniture or Chair Caster |
| Wheel diameter             | 55mm   2 3/16"            |
| Load capacity              | 54kg   119 lbs.           |
| Overall height with fixing | 62mm                      |
| <b>Wheel:</b>              |                           |
| Wheel type                 | softwheel                 |
| Wheel core / tread color   | Black / Black             |
| <b>Housing:</b>            |                           |
| Housing form               | hooded                    |
| Neck diameter              | 38mm                      |
| Housing material           | High quality nylon        |
| Housing color              | Black                     |
| Mobility concept           | Freewheel                 |
| Fixing                     | 11x22mm Push-fit stem     |
| Description                | TUK155-24X2B              |

## Fixings

Compatible with the following available fixings:

### Push fit stems:

- 10x20mm with 10.3mm circlip
- 10x22mm with 10.5mm circlip
- 11x19.5mm with 11.8mm circlip
- 11x22mm with 11.4mm circlip
- 11x22mm with 11.6mm circlip
- 11x22mm with 11.8mm circlip
- 11x22mm with 11.8 banded K290 4A
- 11x26mm

### Threaded stems:

- 3/8-16x1"
- 3/8x1"

### Square plates:

- 38x38mm
- 55x55mm
- 60x60mm