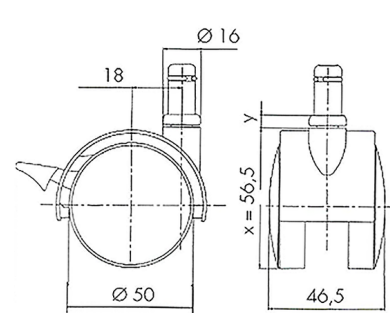


Traditional 50 classic

As of: April 08, 2026

| Description<br>TDKF97-5X2B | Model<br>T97 | Carton Quantity<br>100 pcs per carton |
|----------------------------|--------------|---------------------------------------|
|----------------------------|--------------|---------------------------------------|



## Technical Details

|                            |                           |
|----------------------------|---------------------------|
| Product Type               | Furniture or Chair Caster |
| Wheel diameter             | 50mm   2"                 |
| Load capacity              | 50kg   110 lbs.           |
| Overall height with fixing | 56.5mm                    |
| <b>Wheel:</b>              |                           |
| Wheel type                 | Hard wheel                |
| Wheel color                | Black                     |
| <b>Housing:</b>            |                           |
| Housing form               | hooded                    |
| Neck diameter              | 16mm                      |
| Housing material           | High quality nylon        |
| Housing color              | Black                     |
| Mobility concept           | Stopper brake, Black      |
| Fixing                     | 11x22mm Push-fit stem     |
| Description                | TDKF97-5X2B               |

## Fixings

Compatible with the following available fixings:

### No-Noise™ Stem:

- 11x19.5mm with 11.4mm circlip
- 11x19.5mm with 11.6mm circlip

### Push fit stems:

- 10x22mm with 10.3mm circlip
- 10x22mm with 10.5mm circlip
- 11x19.5mm with 11.4mm circlip
- 11x19.5mm with 11.8mm circlip
- 11x22mm with 11.4mm circlip
- 11x22mm with 11.6mm circlip
- 11x22mm with 11.8mm circlip
- 11x22mm with 11.8 banded K290 4A
- 11x26mm

### Threaded stems:

- M8x15mm
- M8x20mm
- M8x25mm
- M10x15mm
- M10x20mm
- M10x25mm
- M10x30mm
- M10x40mm
- M12x20mm
- 5/16-18x1"
- 5/16-18x1/2"
- 3/8-16x1"
- 5/16-18x5/8"
- 3/8-16x1/2"
- 3/8-16x5/8"

### Square plates:

- 38x38mm
- 55x55mm
- 60x60mm