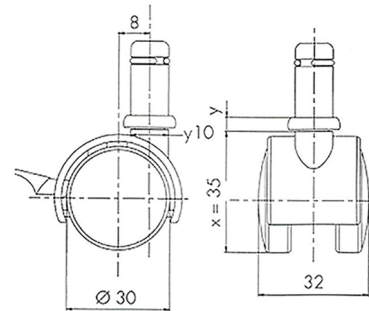


Traditional 30 classic

As of: April 08, 2026

Description	Model	Carton Quantity
TDKF213-3X2B	T213	200 pcs per carton



Technical Details

Product Type	Furniture or Chair Caster
Wheel diameter	30mm 1 1/8"
Load capacity	29kg 65 lbs.
Overall height with fixing	35mm
Wheel:	
Wheel type	Hard wheel
Wheel color	Black
Housing:	
Housing form	hooded
Neck diameter	8mm
Housing material	High quality nylon
Housing color	Black
Mobility concept	Stopper brake, Black
Fixing	11x22mm Push-fit stem
Description	TDKF213-3X2B

Fixings

Compatible with the following available fixings:

No-Noise™ Stem:

- 11x19.5mm with 11.4mm circlip
- 11x19.5mm with 11.6mm circlip

Push fit stems:

- 10x22mm with 10.3mm circlip
- 10x22mm with 10.5mm circlip
- 11x19.5mm with 11.4mm circlip
- 11x19.5mm with 11.8mm circlip
- 11x22mm with 11.4mm circlip
- 11x22mm with 11.6mm circlip
- 11x22mm with 11.8mm circlip

Threaded stems:

- M8x15mm
- M8x25mm
- M10x15mm
- M10x25mm
- 5/16-18x5/8"
- 3/8-16x5/8"
- 3/8-16x1/2"
- 3/8-16x1"

Square plates:

- 38x38mm
- 55x55mm
- 60x60mm