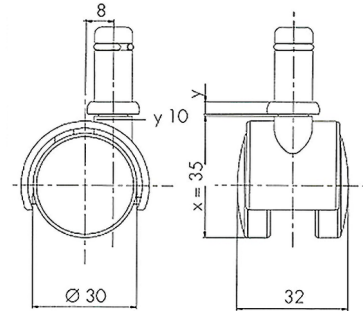


Traditional 30 classic

As of: April 12, 2026

| Description TDK213-3X2B | Model T213 | Carton Quantity 200 pcs per carton |
|-----------------------------------|----------------------|--|
|-----------------------------------|----------------------|--|



Technical Details

| | |
|----------------------------|---------------------------|
| Product Type | Furniture or Chair Caster |
| Wheel diameter | 30mm 1 1/8" |
| Load capacity | 41kg 90 lbs. |
| Overall height with fixing | 35mm |
| Wheel: | |
| Wheel type | Hard wheel |
| Wheel color | Black |
| Housing: | |
| Housing form | hooded |
| Neck diameter | 8mm |
| Housing material | High quality nylon |
| Housing color | Black |
| Mobility concept | Freewheel |
| Fixing | 11x22mm Push-fit stem |
| Description | TDK213-3X2B |

Fixings

Compatible with the following available fixings:

No-Noise™ Stem:

- 11x19.5mm with 11.4mm circlip
- 11x19.5mm with 11.6mm circlip

Push fit stems:

- 10x22mm with 10.3mm circlip
- 10x22mm with 10.5mm circlip
- 11x19.5mm with 11.4mm circlip
- 11x19.5mm with 11.8mm circlip
- 11x22mm with 11.4mm circlip
- 11x22mm with 11.6mm circlip
- 11x22mm with 11.8mm circlip

Threaded stems:

- M8x15mm
- M8x25mm
- M10x15mm
- M10x25mm
- 5/16-18x5/8"
- 3/8-16x5/8"
- 3/8-16x1/2"
- 3/8-16x1"

Square plates:

- 38x38mm
- 55x55mm
- 60x60mm