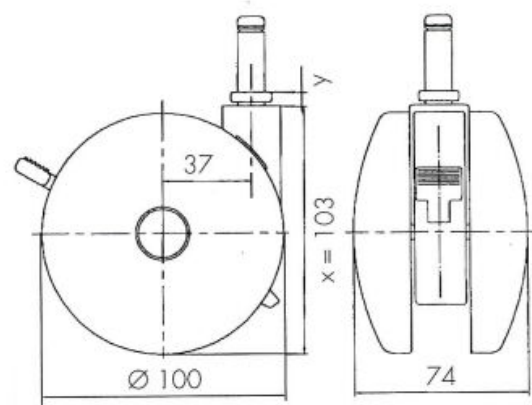


Traditional 100 classic

As of: July 07, 2026

Description TUKF100-24X2B32	Model T100	Carton Quantity 40 pc per carton
--------------------------------	---------------	-------------------------------------



## Technical Details

Product Type	Furniture or Chair Caster
Wheel diameter	100mm   4"
Load capacity	100kg   220 lbs.
Overall height with fixing	103mm
<b>Wheel:</b>	
Wheel type	softwheel
Wheel core / tread color	Black / Black
<b>Housing:</b>	
Housing form	unhooded
Neck diameter	20mm
Housing material	High quality nylon
Housing color	Black
Mobility concept	Freewheel, Black
Fixing	11x32mm Push-fit stem
Description	TUKF100-24X2B32

## Fixings

Compatible with the following available fixings:

### Push fit stems:

- 10x20mm with 10.3mm circlip
- 10x22mm with 10.5mm circlip
- 11x19.5mm with 11.8mm circlip
- 11x22mm with 11.4mm circlip
- 11x22mm with 11.6mm circlip
- 11x22mm with 11.8mm circlip
- 11x22mm with 11.8 banded K290 4A
- 11x26mm

### Threaded stems:

- 3/8-16x1"
- 3/8x1"

### Square plates:

- 38x38mm
- 55x55mm
- 60x60mm