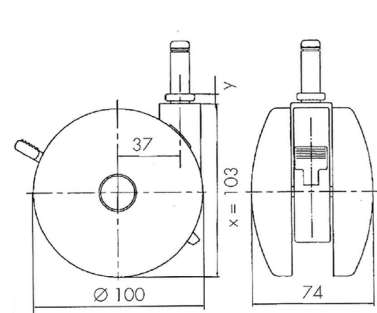


Traditional 100 classic

As of: April 12, 2026

Description	Model	Carton Quantity
TDKF100-5X2B32	T100	100 pcs per carton



Technical Details

Product Type	Furniture or Chair Caster
Wheel diameter	100mm 4"
Load capacity	100kg 220 lbs.
Overall height with fixing	103mm
Wheel:	
Wheel type	Hard wheel
Wheel color	Black
Housing:	
Housing form	unhooded
Housing material	High quality nylon
Housing color	Black
Mobility concept	Stopper brake
Fixing	11x32mm Push-fit stem
Description	TDKF100-5X2B32

Fixings

Compatible with the following available fixings:

Push fit stems:

- 11x32mm
- 11x38mm

Threaded stems:

- M10x15mm
- M10x25mm
- M12x20mm
- 3/8-16x1"
- 1/2-13x1"

Square plates:

- 60x60mm
- 65x55mm
- 65x65mm