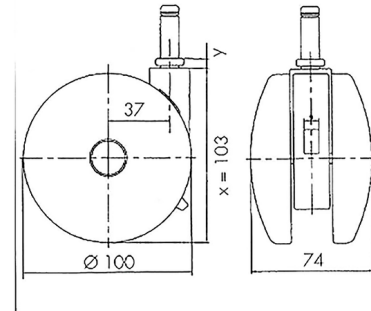


Traditional 100 classic

As of: July 07, 2026

Description TDK100-5X2B-32	Model T100	Carton Quantity 100 pcs per carton
-------------------------------	---------------	---------------------------------------



## Technical Details

Product Type	Furniture or Chair Caster
Wheel diameter	100mm   4"
Load capacity	100kg   220 lbs.
Overall height with fixing	103mm
<b>Wheel:</b>	
Wheel type	Hard wheel
Wheel color	Black
<b>Housing:</b>	
Housing form	unhooded
Housing material	High quality nylon
Housing color	Black
Mobility concept	Freewheel
Fixing	11x32mm Push-fit stem
Description	TDK100-5X2B-32

## Fixings

Compatible with the following available fixings:

### Push fit stems:

- 11x32mm
- 11x38mm

### Threaded stems:

- M10x15mm
- M10x25mm
- M12x20mm
- 3/8-16x1"
- 1/2-13x1"

### Square plates:

- 60x60mm
- 65x55mm
- 65x65mm