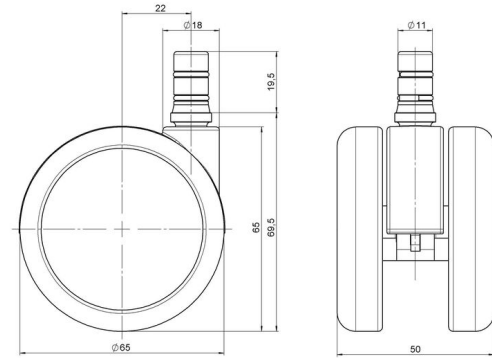


Standard D065

As of: May 25, 2026

Description	Model	Carton Quantity
DUZB 65 - 2X2NN	D065	100 pcs per Carton



Technical Details

Product Type	Furniture caster
Wheel diameter	65mm 2.56"
Load capacity	65kg 143 lbs.
Overall height with fixing	69,5mm
Wheel:	
Wheel type	Soft wheel
Wheel core / tread color	RAL 9005 Jet black / RAL 7022 Umbra grey
Housing:	
Housing form	unhooded, with neck diameter
Neck diameter	18mm
Housing material	Zinc die-cast
Housing color	Shiny chrome
Mobility concept	Freewheel
Fixing	No-Noise™ Stem, 11x19,5mm Push fit stem with double circlips, 11,4mm
Description	DUZB 65 - 2X2NN

Fixings

Compatible with the following available fixings:

No-Noise™ Stem:

- 11x19.5mm with 11.4mm circlip
- 11x19.5mm with 11.6mm circlip

Push fit stems:

- 10x22mm with 10.3mm circlip
- 10x22mm with 10.5mm circlip
- 11x19.5mm with 11.4mm circlip
- 11x19.5mm with 11.8mm circlip
- 11x22mm with 11.4mm circlip
- 11x22mm with 11.6mm circlip
- 11x22mm with 11.8mm circlip
- 11x22mm with 11.8 banded K290 4A
- 11x26mm

Threaded stems:

- M8x15mm
- M8x20mm
- M8x25mm
- M10x15mm
- M10x20mm
- M10x25mm
- M10x30mm
- M10x40mm
- M12x20mm
- 5/16-18x1"
- 5/16-18x1/2"
- 3/8-16x1"
- 5/16-18x5/8"
- 3/8-16x1/2"
- 3/8-16x5/8"

Square plates:

- 38x38mm
- 55x55mm
- 60x60mm