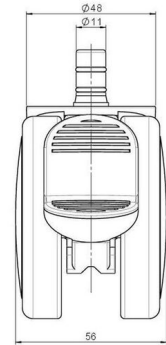
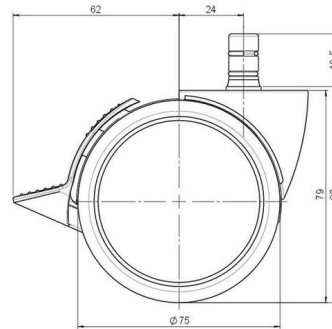


Standard D075

As of: June 17, 2026

| Description | Model | Carton Quantity |
|-----------------|-------|--------------------|
| DUKF 75 - 2X2NN | D075 | 120 pcs per Carton |



Technical Details

| | |
|----------------------------|--|
| Product Type | Furniture caster |
| Wheel diameter | 75mm 3" |
| Load capacity | 75kg 165 lbs. |
| Overall height with fixing | 80mm |
| Wheel: | |
| Wheel type | Soft wheel |
| Wheel core / tread color | RAL 9005 Jet black / RAL 9005 Jet black |
| Housing: | |
| Housing form | unhooded, with neck diameter |
| Neck diameter | 20mm |
| Housing material | High quality nylon |
| Housing color | RAL 9005 Jet black |
| Mobility concept | Stopper brake |
| Fixing | No-Noise™ Stem, 11x19,5mm Push fit stem with double circlips, 11,4mm |
| Description | DUKF 75 - 2X2NN |

Fixings

Compatible with the following available fixings:

No-Noise™ Stem:

- 11x19.5mm with 11.4mm circlip
- 11x19.5mm with 11.6mm circlip

Push fit stems:

- 10x22mm with 10.3mm circlip
- 10x22mm with 10.5mm circlip
- 11x19.5mm with 11.4mm circlip
- 11x19.5mm with 11.8mm circlip
- 11x22mm with 11.4mm circlip
- 11x22mm with 11.6mm circlip
- 11x22mm with 11.8mm circlip
- 11x22mm with 11.8 banded K290 4A
- 11x26mm

Threaded stems:

- M8x15mm
- M8x20mm
- M8x25mm
- M10x15mm
- M10x20mm
- M10x25mm
- M10x30mm
- M10x40mm
- M12x20mm
- 5/16-18x1"
- 5/16-18x1/2"
- 3/8-16x1"
- 5/16-18x5/8"
- 3/8-16x1/2"
- 3/8-16x5/8"

Square plates:

- 38x38mm
- 55x55mm
- 60x60mm