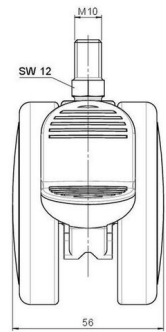
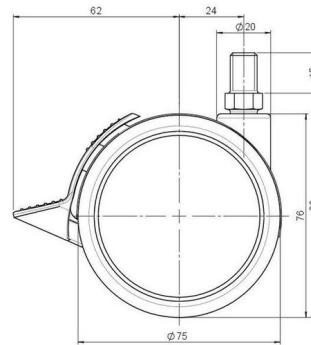


Description DUKF 75 - 2 X10	Model D075	Carton Quantity 120 pcs per Carton
--------------------------------	---------------	---------------------------------------



Technical Details

Product Type	Furniture caster
Wheel diameter	75mm 3"
Load capacity	75kg 165 lbs.
Overall height with fixing	83mm
Wheel:	
Wheel type	Soft wheel
Wheel core / tread color	RAL 7035 Light grey / RAL 7035 Light grey
Housing:	
Housing form	unhooded, with neck diameter
Neck diameter	20mm
Housing material	High quality nylon
Housing color	RAL 7035 Light grey
Mobility concept	Stopper brake
Fixing	M10x15mm Threaded stem
Description	DUKF 75 - 2 X10

Fixings

Compatible with the following available fixings:

No-Noise™ Stem:

- 11x19.5mm with 11.4mm circlip
- 11x19.5mm with 11.6mm circlip

Push fit stems:

- 10x22mm with 10.3mm circlip
- 10x22mm with 10.5mm circlip
- 11x19.5mm with 11.4mm circlip
- 11x19.5mm with 11.8mm circlip
- 11x22mm with 11.4mm circlip
- 11x22mm with 11.6mm circlip
- 11x22mm with 11.8mm circlip
- 11x22mm with 11.8 banded K290 4A
- 11x26mm

Threaded stems:

- M8x15mm
- M8x20mm
- M8x25mm
- M10x15mm
- M10x20mm
- M10x25mm
- M10x30mm
- M10x40mm
- M12x20mm
- 5/16-18x1"
- 5/16-18x1/2"
- 3/8-16x1"
- 5/16-18x5/8"
- 3/8-16x1/2"
- 3/8-16x5/8"

Square plates:

- 38x38mm
- 55x55mm
- 60x60mm