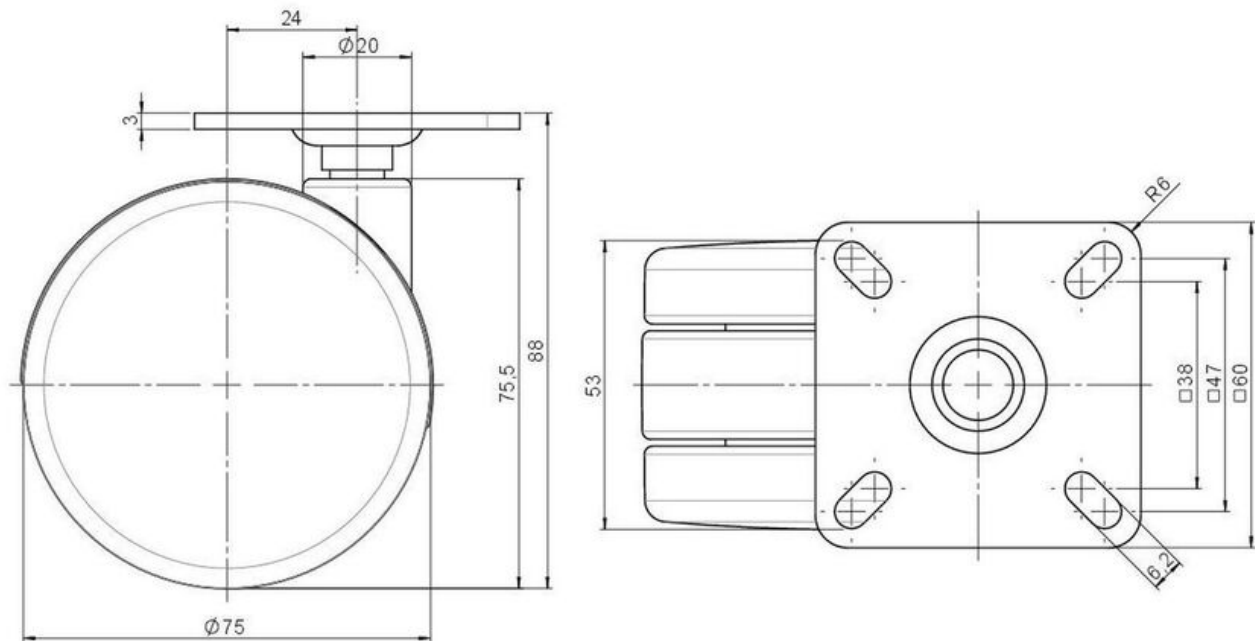


Standard D071

As of: July 07, 2026

Description	Model	Carton Quantity
DUKG 71 - 2 X 1	D071	150 pcs per Carton



Technical Details

Product Type	Chair caster
Wheel diameter	65mm 2.56"
Load capacity	65kg 143 lbs.
Overall height with fixing	88mm
Wheel:	
Wheel type	Soft wheel
Wheel core / tread color	RAL 7021 Black grey / RAL 7022 Umbra grey
Housing:	
Housing form	unhooded, with neck diameter
Neck diameter	23mm
Housing material	High quality nylon
Housing color	RAL 7021 Black grey
Mobility concept	Unloaded braked, Standard
Fixing	60x60mm Plate
Description	DUKG 71 - 2 X 1

Fixings

Compatible with the following available fixings:

No-Noise™ Stem:

- 11x19.5mm with 11.4mm circlip
- 11x19.5mm with 11.6mm circlip

Push fit stems:

- 10x22mm with 10.3mm circlip
- 10x22mm with 10.5mm circlip
- 11x19.5mm with 11.4mm circlip
- 11x19.5mm with 11.8mm circlip
- 11x22mm with 11.4mm circlip
- 11x22mm with 11.6mm circlip
- 11x22mm with 11.8mm circlip
- 11x22mm with 11.8 banded K290 4A
- 11x26mm

Threaded stems:

- M8x15mm
- M8x20mm
- M8x25mm
- M10x15mm
- M10x20mm
- M10x25mm
- M10x30mm
- M10x40mm
- M12x20mm
- 5/16-18x1"
- 5/16-18x1/2"
- 3/8-16x1"
- 5/16-18x5/8"
- 3/8-16x1/2"
- 3/8-16x5/8"

Square plates:

- 38x38mm
- 55x55mm
- 60x60mm